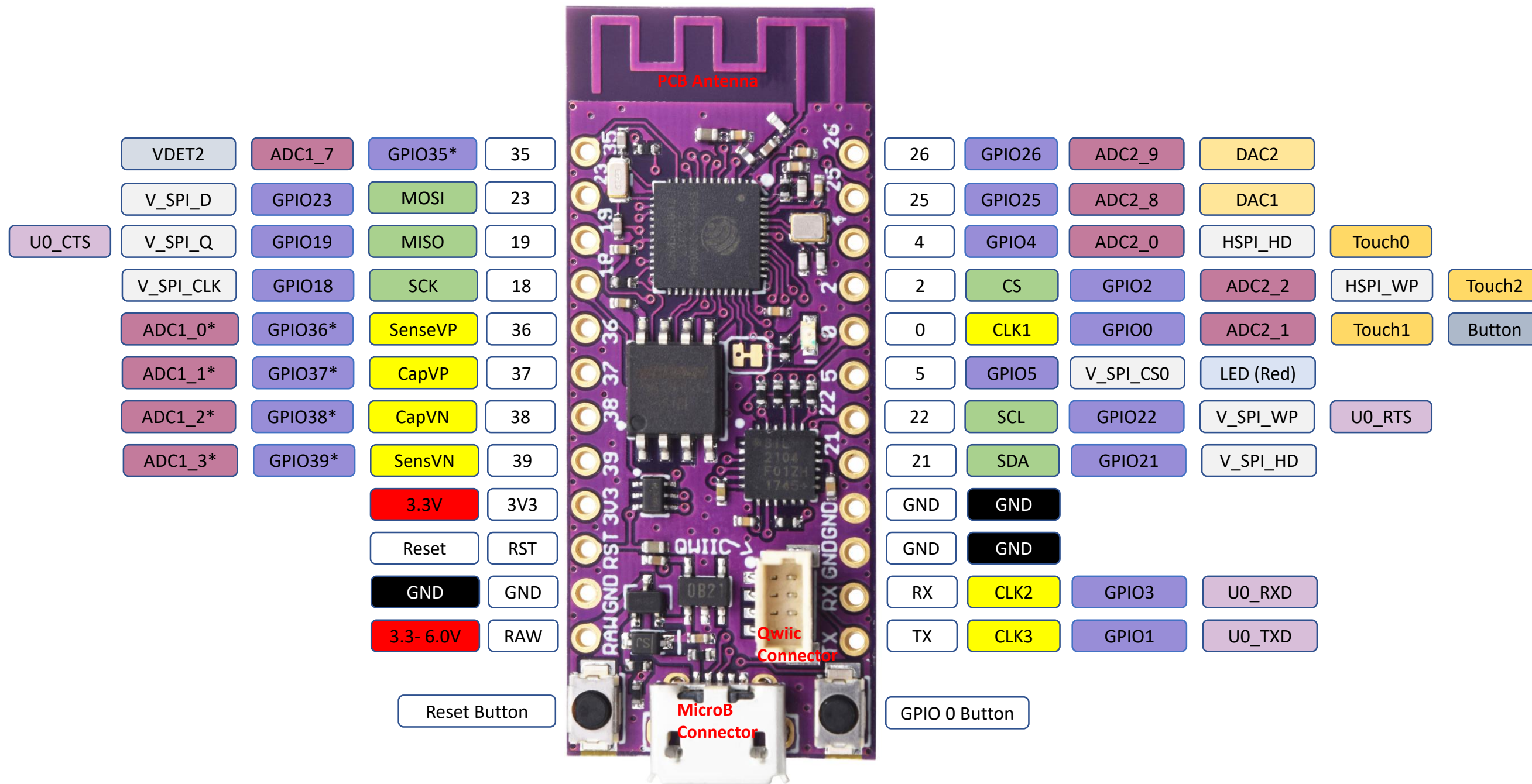


Zuino XS PsyFi32 (ESP32, Qwiic, 3.3V, WiFi, BLE)



Name	ADC
Power	DAC
GND	SPI
Control	UART
Arduino	Touch0
GPIO	Misc

*GPIO: Port Input Only
*ADC: Preamplifier ADC
GPIO 3.3V tolerant only

Power
ESP32 VCC range: 2.2V-3.6V
Up to 250mA during RF transmissions
RAW Input Power: 3.3V- 6.0V

Wireless
Wifi: 802.11 b/g/n/e/i
WPA/WPA2/WPA2-Enterprise/SPS
Bluetooth: Bluetooth 4.2/BLE

ESP32
Dual-core Xtensa 32-bit LX6
Up to 240MHz
520kB internal SRAM
4MB external flash
Multiplexed I/Os allow up to
10 ADC channels
2 SPI interfaces
1 UART interfaces
1 I2C interfaces
2 I2S interfaces
13 LED PWM outputs
3 Capacitive Touch Inputs

ADC Preamp
GPIO pins 36,37,38, and 39 are able to be used as a low noise analog pre-amplifier

Other*
Hall Sensor
Temp sensor (-40C to 125C)
SD/SDIO/MMC Host Controller
CAN Bus

